



Shadesol Zipscreen

Outdoor Shades



Zipscreen gives you privacy and year-round protection as well as keeping you safe from the elements and insects. Utilising stainless steel hardware and a premium aluminium cassette, experience true relaxation and comfortable entertainment without the time-consuming stress and cost of traditional renovations.

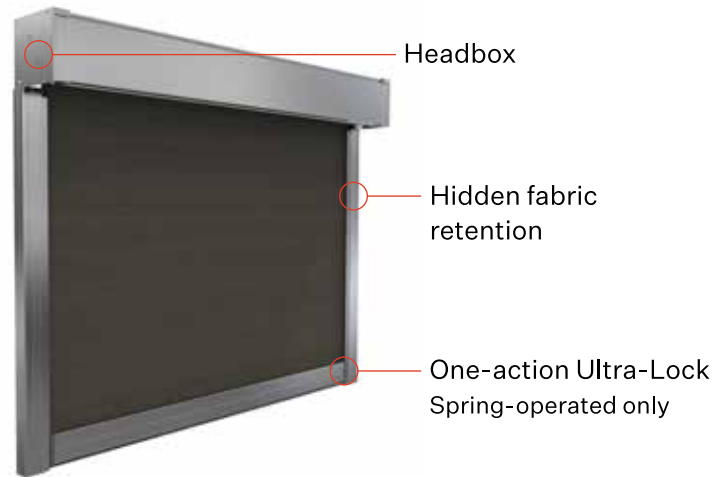
carpetcall.com.au



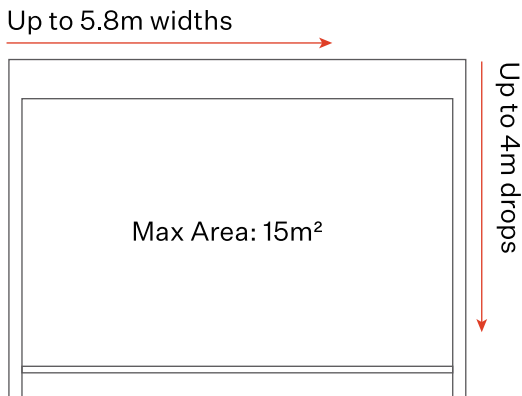
Features

- Manufactured from high-quality aluminium featuring a modern, square profile.
- Versatile installation options offering either a full/semi-enclosed cassette or fascia configuration.
- Ultra-Lock is a hidden locking mechanism that integrates into the side channel of the system.
- Zip-guided system ensures zero gaps between the fabric and channel while ensuring an effortless operation.

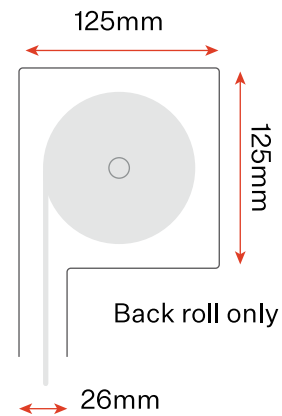
Componentry



Capacity



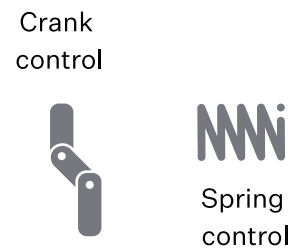
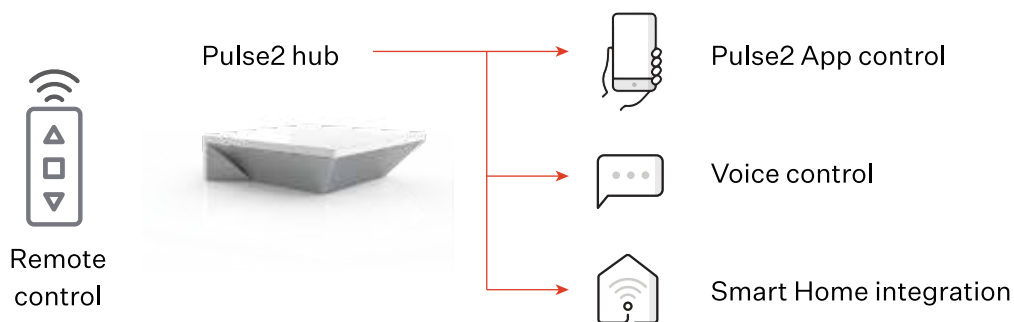
Dimensions



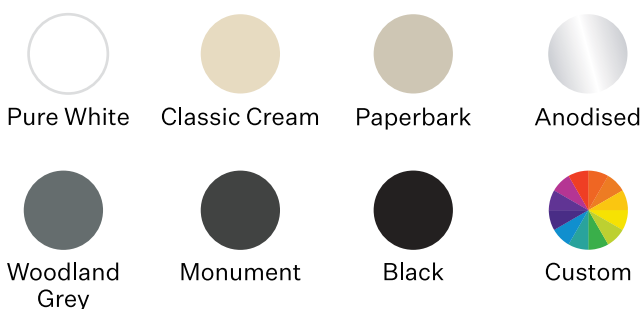
Controls

Motorised

Manual



Colours



Warranty



Different structural warranties apply to coastal areas.



Shadesol Zipscreen Extreme

Outdoor Shades



The Zipscreen Extreme system is an integration of the popular Zipscreen and robust Extreme components, to produce a wide screen retention solution capable of producing shades up to 7m in width and 5m drops.

Utilising stainless steel hardware, a premium aluminium cassette and a choice of 110mm or 130mm aluminium tubes, the Zipscreen Extreme is the ultimate outdoor entertainment solution.

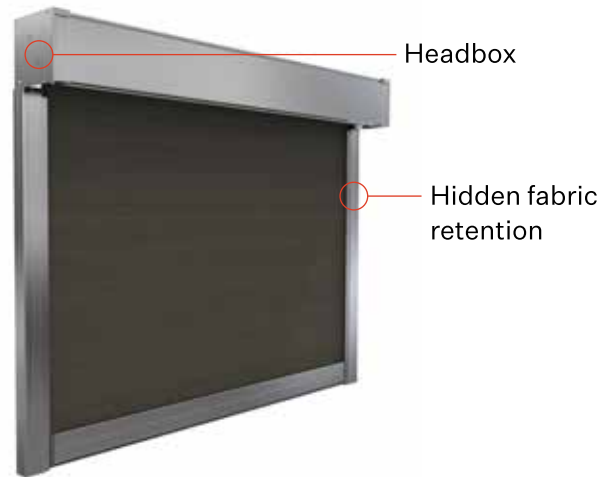
carpetcall.com.au



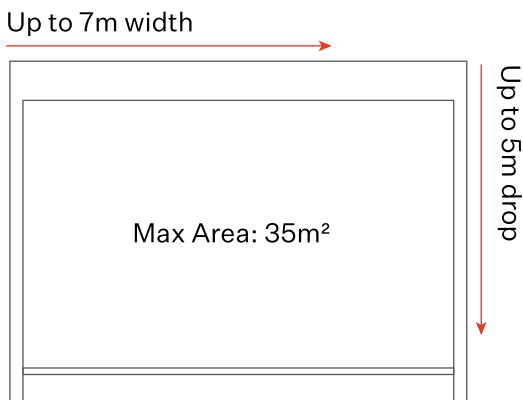
Features

- Manufactured from high-quality aluminium featuring a modern, square profile.
- Versatile installation options offering either a full/ semi-enclosed cassette or fascia configuration.
- Zip-guided system ensures zero gaps between the fabric and channel while ensuring an effortless operation.

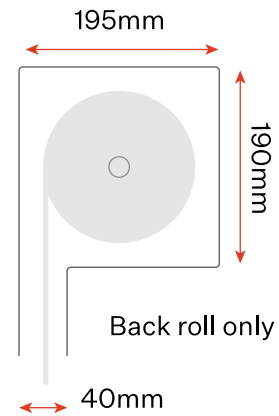
Componentry



Capacity



Dimensions



Controls

Motorised



Pulse2 hub



Pulse2 App control



Voice control



Smart Home integration

Colours

Custom colours available



Warranty



Different structural warranties apply to coastal areas.



Shadesol Wire Guide

Outdoor Shades



A discreet wire guided solution, great for floor to ceiling applications. Featuring a universal bracket to fix the base of the wire guide to the floor, face or recess. The Wire Guide system utilises compression springs to tension the wire, ensuring a smooth and steady guide for the fabric. Wire tension is quick and easy to adjust.

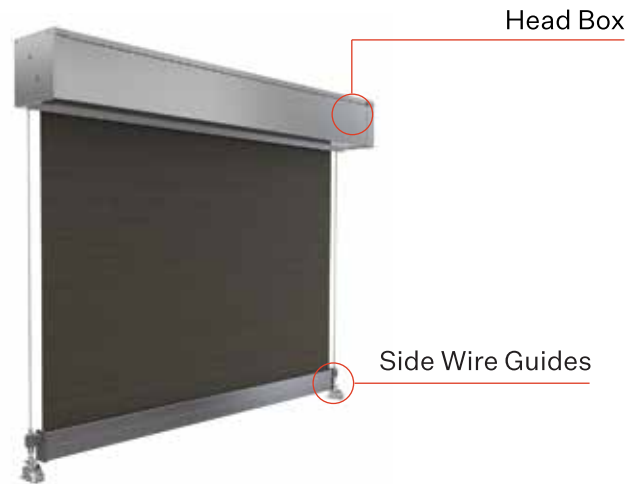
carpetcall.com.au



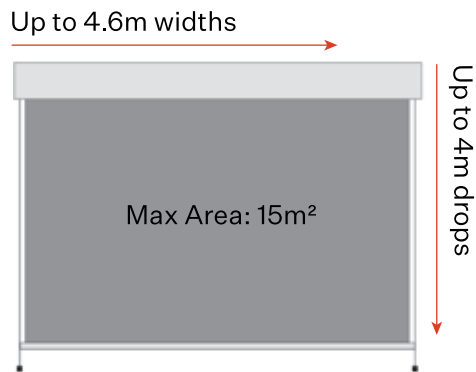
Features

- Wire Guides are modular, utilising common components across the entire Shadesol suite, including Zipscreen.
- Wire tensioning is simple and quick to adjust.
- Compression spring to allow for wire stretch.
- Universal bracket to fix the base of the blind to the floor, wall or in a recess.

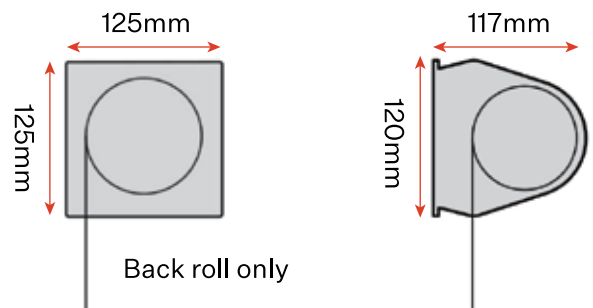
Componentry



Capacity



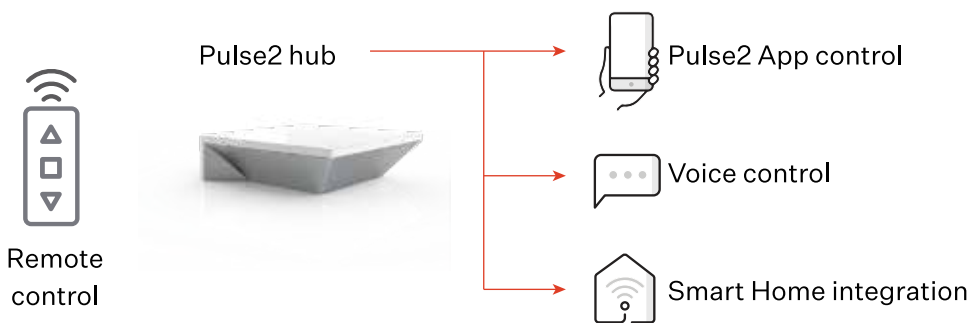
Dimensions



Controls

Motorised

Manual



Crank control



Colours

Custom colours available



Warranty



Different structural warranties apply to coastal areas.



Shadesol Wire Guide Extreme

Outdoor Shades



The Extreme Wire Guide System features robust hardware and a premium aluminium cassette providing a solution for significantly heavier, grander, and impressive shading systems.

Offering the perfect solution for both inside and outside domestic or commercial applications, the Extreme Wire Guide is capable of achieving widths up to 7 meters with 5 meter drops.

carpetcall.com.au



Componentry



Extruded aluminium cassette (not roll-formed) for increased strength and durability. Integrated into the cassette are heavy duty brackets to ensure a superior hold while maintaining a clean, modern aesthetic.

Secure stainless steel wire guide tensioning at base of blind for easy adjustment and maintenance.

F72 Heavy duty weight bar ideal for larger solutions but still modern in design. Matches headbox colours for premium aesthetic.

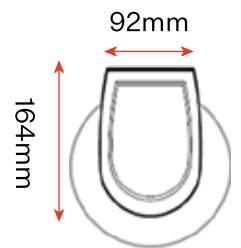
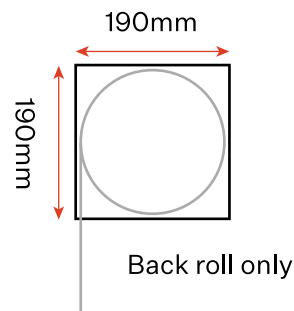
Capacity

Up to 7m widths



Up to 5m drops

Dimensions



Controls

Motorised



Remote control

Pulse2 hub



Pulse2 App control



Voice control



Smart Home integration



Colours

Custom colours available



Pure White



Monument



Woodland Grey



Black



Anodised

Warranty



Different structural warranties apply to coastal areas.

Features

- Robust bearing idler features a 20mm stainless steel shaft with 2 heavy duty roller bearings to ensure extended smooth operation.
- A range of tubes up to 160mm diameter to ensure minimal deflection at extreme widths.
- Top, Face and Side fix applications.
- Cassette provides added protection for fabric roll.



Shadesol Straight Drop

Outdoor Shades



The Straight Drop system is an entry-level outdoor shading system that is suitable for a variety of external residential or commercial applications - sliding windows, doorways, undercover and outdoor areas. Our Straight Drop system is simple in its design and installation, creating a minimal and cost-effective solution.

carpetcall.com.au



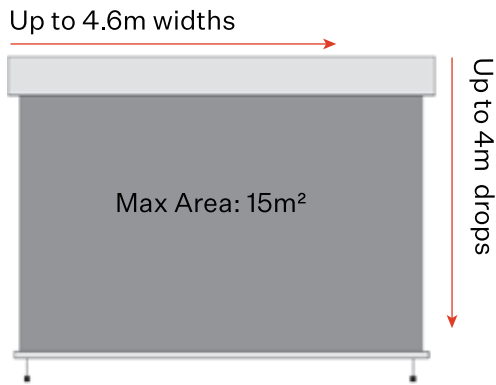
Features

- Straight Drops are modular, utilising common components across the entire Shadesol suite, including Zipscreen.
- Entry level solution.
- Option of clip or strap for fixing to the floor.
- Suitable for a variety of external shade applications - sliding windows and doorways, undercover areas or outdoor cafés.

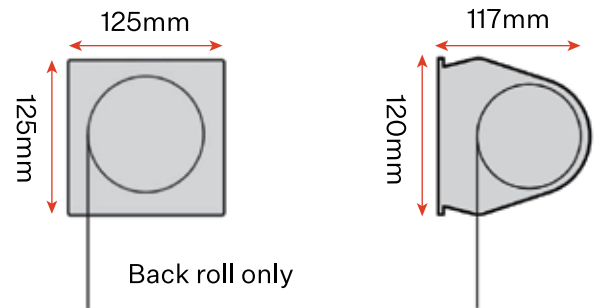
Componentry



Capacity



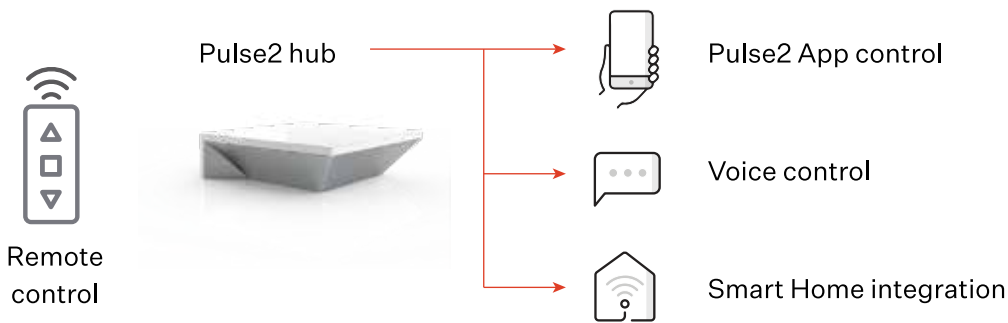
Dimensions



Controls

Motorised

Manual



Crank control



Colours

Custom colours available



Warranty



Different structural warranties apply to coastal areas.



Shadesol Pivot Arm

Outdoor Shades



The Pivot Arm shade is ideal for windows on first or second levels of the home or office. Featuring a robust spring-loaded arm the Pivot Arm perfectly maintains fabric tension in all positions.

carpetcall.com.au



Features

- Pivot Arms are modular, utilising common components across the entire Shadesol suite, including Zipscreen.
- Suitable for outward opening windows.
- Ideal for sheltered areas around the home.

Componentry

Head Box

Min projection 700mm
Max projection 1600mm

Pivot Arm

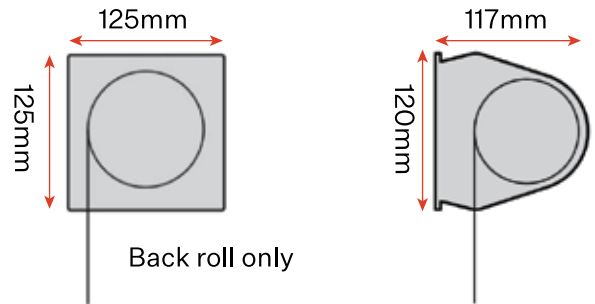
Available in Pure White or Black

Capacity

Up to 4.5m widths



Dimensions



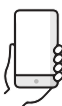
Controls

Motorised

Manual



Pulse2 hub



Pulse2 App control



Voice control



Smart Home integration

Crank control



Colours

Custom colours available



Warranty



Different structural warranties apply to coastal areas.